

Microcontroller Subsystem

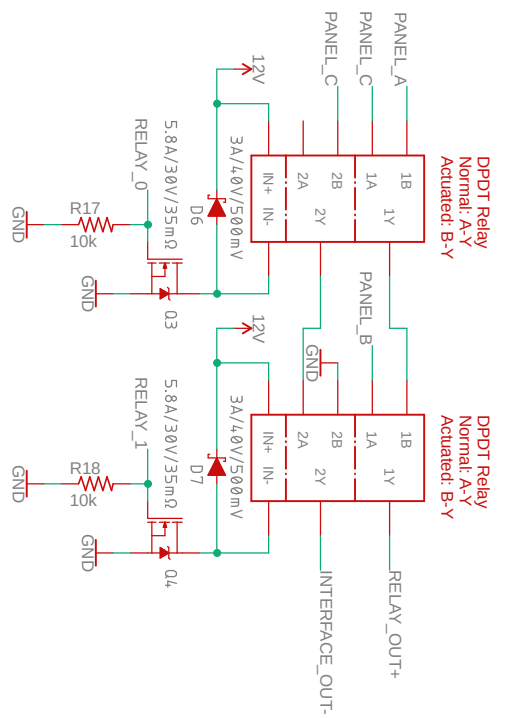
TITLE: smartInterface

Document Number:

REV:

Date: 9/30/2019 8:10 AM

Sheet: 1/5



Switching Subsystem

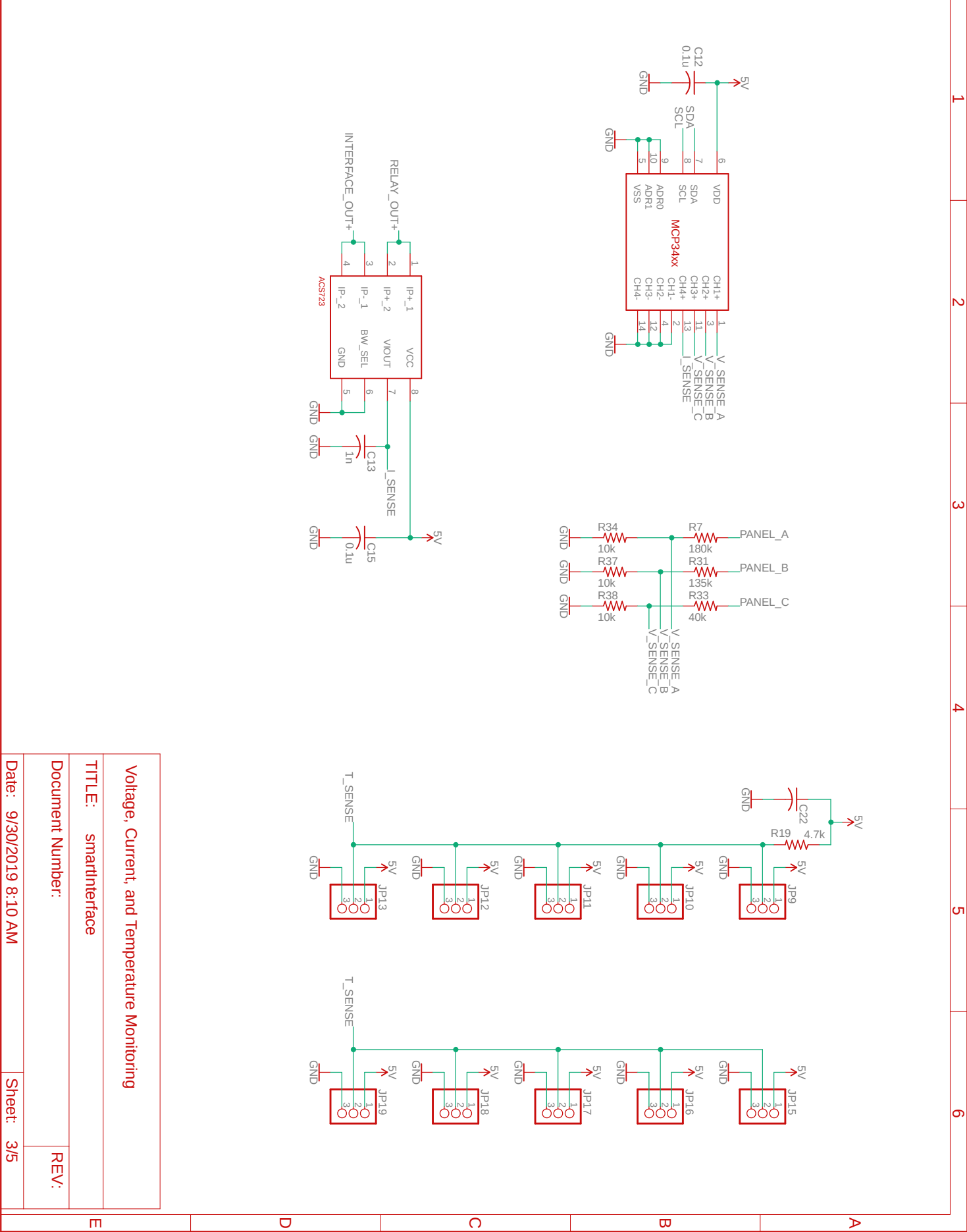
TITLE: smartInterface

Document Number:

REV:

Date: 9/30/2019 8:10 AM

Sheet: 2/5



Voltage, Current, and Temperature Monitoring

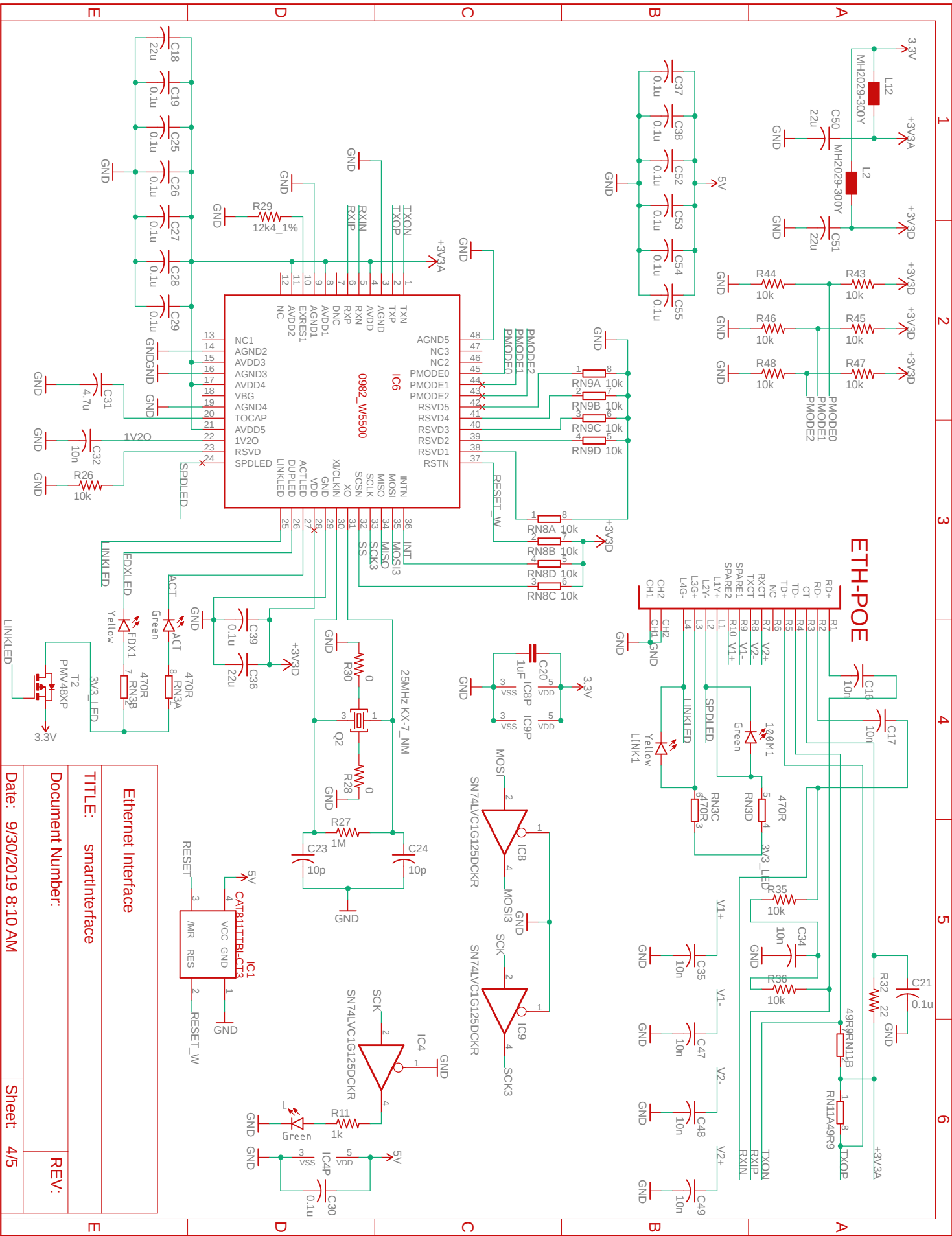
TITLE: smartInterface

Document Number:

REV:

Date: 9/30/2019 8:10 AM

Sheet: 3/5



ETH-POE

Ethernet Interface

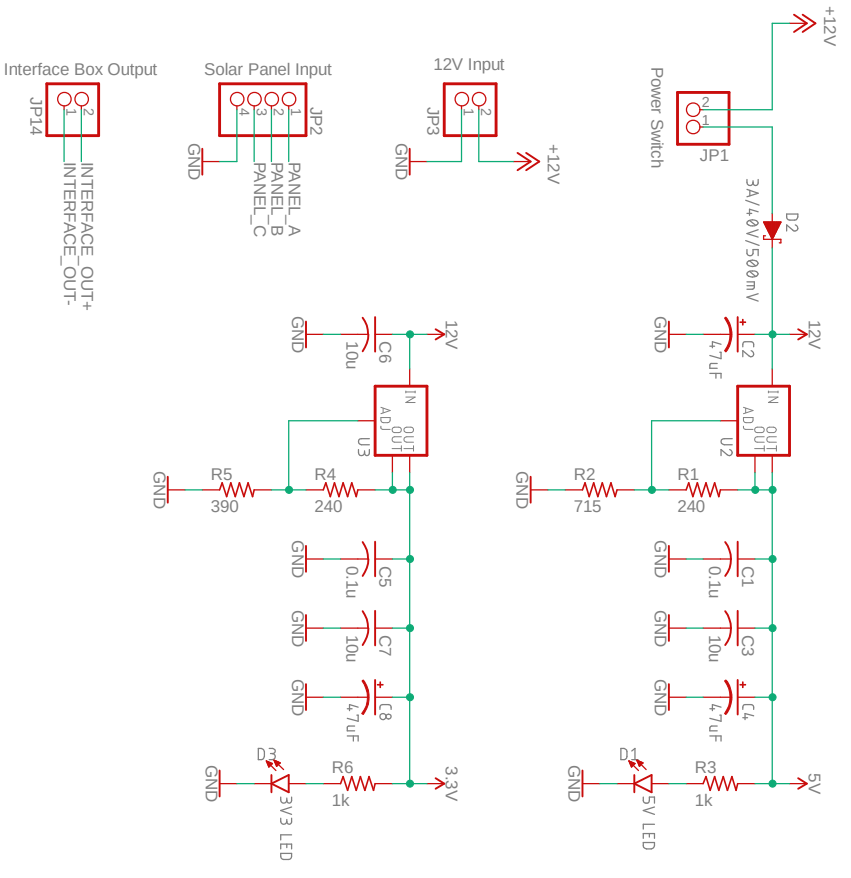
TITLE: smartinterface

Document Number:

Date: 9/30/2019 8:10 AM

REV:

Sheet: 4/5



Power Subsystem	
TITLE: smartInterface	
Document Number:	REV:
Date: 9/30/2019 8:10 AM	Sheet: 5/5